

HKIZPTZA23



23x/30x/36x Cost-effective PTZ Dome Camera



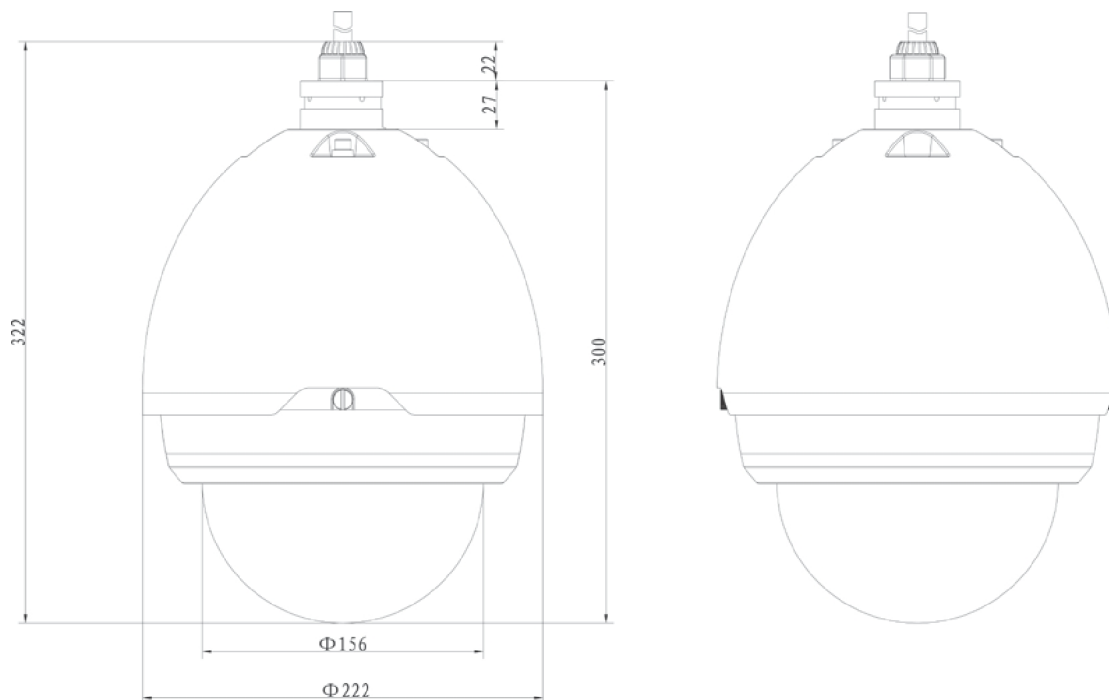
Features

- Powerful 23x/30x/36x optical zoom
- High resolution@700TVL/600TVL/540TVL
- DWDR, Day/Night (ICR), DNR (2D&3D), Auto iris, Auto focus, AWB, AGC, BLC
- Max 300 °/s pan speed, 360° continuous pan rotation
- Up to 255 presets, 5 auto scan, 8 tour, 5 pattern
- Support intelligent 3D positioning with DH-SD protocol
- IP66

HKIZPTZA23



Dimensions (mm)



Technical Specifications:

Model					
Camera					
Image Sensor	1/4"CMOS	1/4" Super HAD CCD II		1/3" EXview HAD CCD II	
Effective Pixels	640(H) × 480(V)	752(H) × 582(V) / 768 (H) × 494(V)		976(H) × 582(V) / 976(H) × 494(V)	
Horizontal Resolution	540TVL	Color: 600TVL; B/W: 650TVL		Color: 700TVL B/W: 750TVL	
Scanning System	Progressive	Interlacing			
Electronic Shutter Speed	1/50(60)s~1/100,000s	1/1s ~1/100,000s			
Min. Illumination	Color:0.5Lux/F1.6 B/W: 0.05Lux/F1.6	Color: 0.01 Lux/F1.6 B/W: 0.001Lux/F1.6		Color:0.001Lux/ F1.6 B/W: .0001Lux/F1.6	
S/N Ratio	More than 50dB				
Video Output	BNC(1.0Vp-p/75Ω), PAL / NTSC				
Camera Features					
Day/Night	Auto(ICR) / Color / B/W				
Backlight Compensation	BLC	BLC / HLC / DWDR (Digital WDR)			
White Balance	Auto, ATW, Indoor, Outdoor, Manual				
Gain Control	Auto / Manual				
Noise Reduction	2D	2D / 3D			
Privacy Masking	Up to 24 areas				
Digital Zoom	N.A.	16x			
Lens					
Focal Length	3.9 mm~89.7mm (23x Optical zoom)	3.9mm~89.7mm Optica (23x 1 zoom)	3.4mm~ 102mm Optica (30x 1 zoom)	3.4mm~ 122.4mm Optica (36x 1 zoom)	3.9mm ~ 89.7mm (23x Optical zoom)
Max Aperture	F1.6~ F3.7	F1.6~ F3.7	F1.6~F4.5	F1.6~ F4.5	F1.6~ F2.7
Focus Control	Auto / Manual				
Angle of View	H: 53.5° ~2.62°	H: 61.68° ~ 3.06°	H: 57.58°~2.3°	H: 57.8°~1.7°	H: 57.58°~ 3.12°

Close Focus Distance	100mm~1000mm	10mm~1000mm
PTZ		
Pan/Tilt Range	Pan: 0° ~ 360° endless; Tilt: -2° ~ 90°, auto flip 180°	
Manual Control Speed	Pan: 0.1° ~ 250°/s; Tilt: 0.1° ~150°/s	
Preset Speed	Pan: 300°/s; Tilt: 200°/s	
Preset	80 (DH-SD) , 255 (Pelco-P/D)	
PTZ Mode	5 Pattern, 8 Tour, Auto Pan, Auto Scan	
Speed Setup	Human-oriented focal length/ speed adaptation	
Power up Action	Auto restore to previous PTZ and lens status after power failure	

HKIZPTZA23



Idle Motion	Activate Preset/Pan/Scan/Tour/Pattern if there is no command in the specified period
Time Task	Auto activation of Preset/Pan/Scan/Tour/Pattern by preset-time
Protocol	DH-SD, Pelco-P/D (Auto recognition)
Auxiliary Interface	
RS485	1 port
General	
Power Supply	AC24V/3A (±10%), DC12V optional
Power Consumption	15W, 25W(Heater on)
Working Environment	-40°C ~ 60°C / Less than 90% RH
Protection Level	IP66, IK10 optional
Dimensions	Φ222 (mm) x 324 (mm)
Weight	5.0kg
