

USER MANUAL OF WIRELESS OUTDOOR SIREN

1. Control Panel Programming

Specific programming, pls refer to manual of the control panel. Wireless ID number of this siren, please see at the back of battery cover.


2. Indication Of Wireless Siren

1. Please charge the battery at least 24 hours when first used. (This siren has circuits protection to resist overcharge and over-discharge)
2. The siren was programmed by control panel, only receiving order from control panel, it can start working.
3. When powered on and turn the BAT switch to ON, the siren is in self-check status, two LEDs flash fast at the same time. Press anti-tamper switch, LEDs will flash 5 times slowly, and then flash alternately.
4. In standby status, the siren alerts when it is moved away.
5. LEDs are always on when in trouble(Such as low battery or the DAT switch was not ON or the AC power supply is lost)

3. Setting of Wireless Siren


1. Choose the alarm type by Type switch (pls refer to installation diagram)

Type switch supports 4 alarm types as follow:

	1	2	Alarm types
	OFF	OFF	Buzzer sounds, LEDs flash, continuously alarm. (Factory default)
	ON	OFF	Buzzer doesn't sound, LEDs flash,
	OFF	ON	Buzzer sounds, LEDs do not flash
	ON	ON	Buzzer sounds, LEDs flash, discontinuously alarm

2. Choose the alarm time by Time switch (pls refer to the diagram of installation)

Time switch supports 4 alarm time as follow:

	1	2	Alarm time
	ON	ON	1 minute
	OFF	OFF	5 minutes (Factory default)
	OFF	ON	15 minutes
	ON	OFF	30 minutes

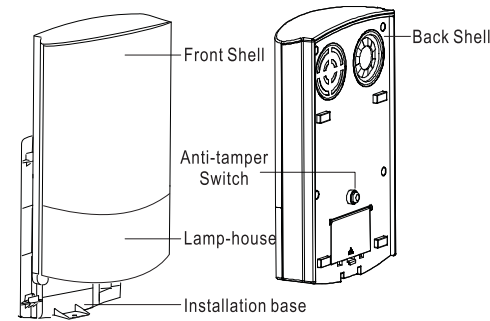
4. The specification of the siren

Power adapter	100-240V 50/60Hz	Wireless working range	120 meters (open space)
Stand-by current	<45mA(Battery fully charged)	Buzzer time	Programmed via control panel, 30 minutes at most
Rechargeable Battery	7.2V 600mAh (nicel hydrogen cell)	Installation place	Indoor and Outdoor (IP55)
SPL	>105dB@30cm	Working temperature	-20℃~+55℃
Battery standby time	>8hrs (fully charged)	Dimension	280*188*70mm
Frequency	433 MHz, 868MHz		

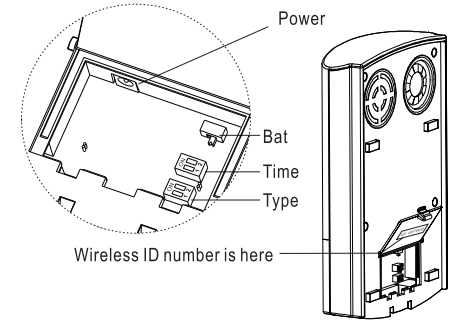
Notice: Sound of siren and types of flash are a little different with external power supply and backup battery.

5. Installation Diagram

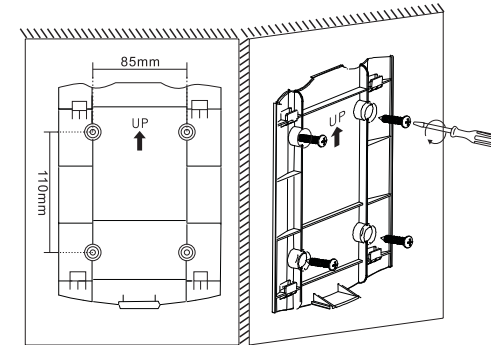
1. Take off the installation base as below:



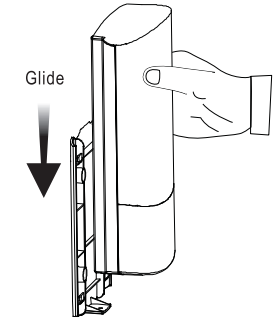
2. Open the back cover, connect the wire and set up the function, then close the back cover.



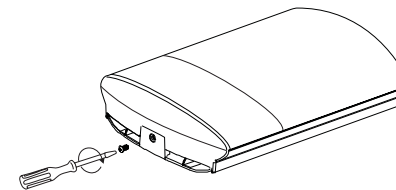
3. Fix the installation base on wall by screws;



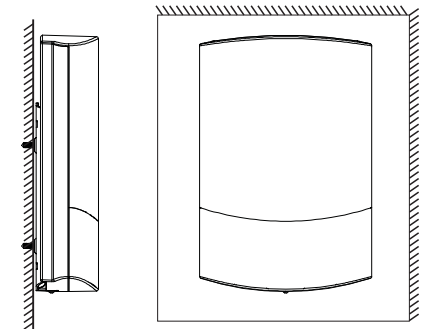
4. Hold the siren and slid it down to the installation base



5. Then fix siren and installation base by screw.



6. Finish



Notice: Please install the siren at the place beyond people's touch.